

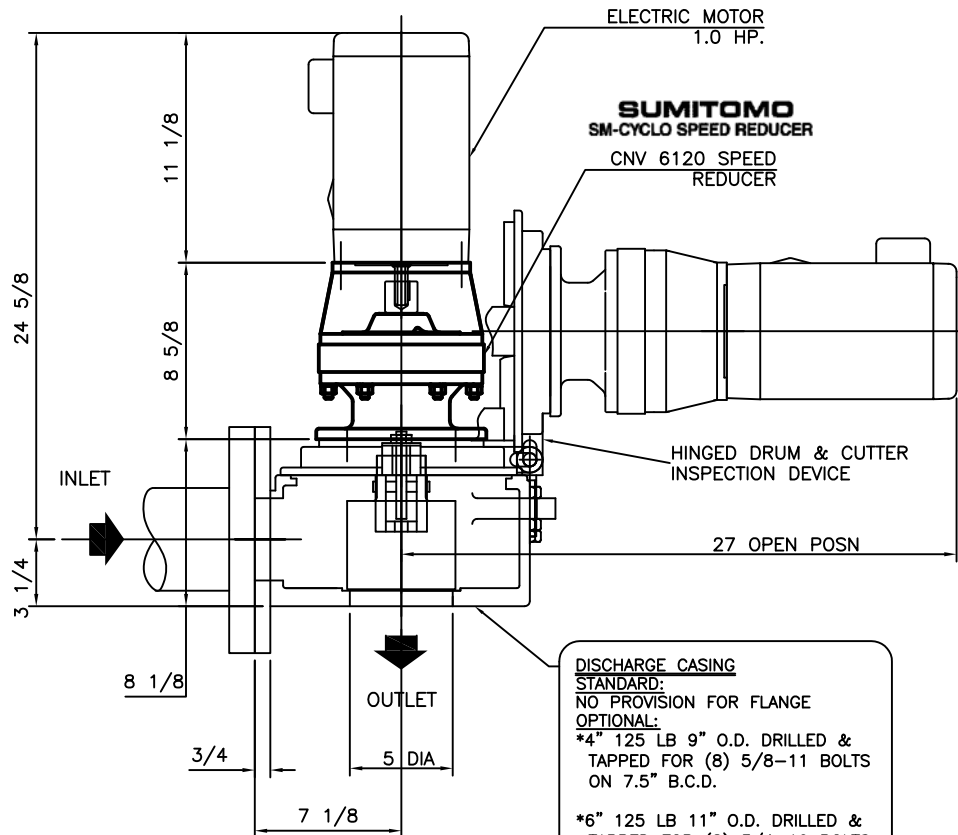


RELEASE EYEBOLTS
SECURING COVER
AND
SWING CUTTING
MECHANISM CLEAR
OF CASING
FOR INSPECTION
AND MAINTENANCE

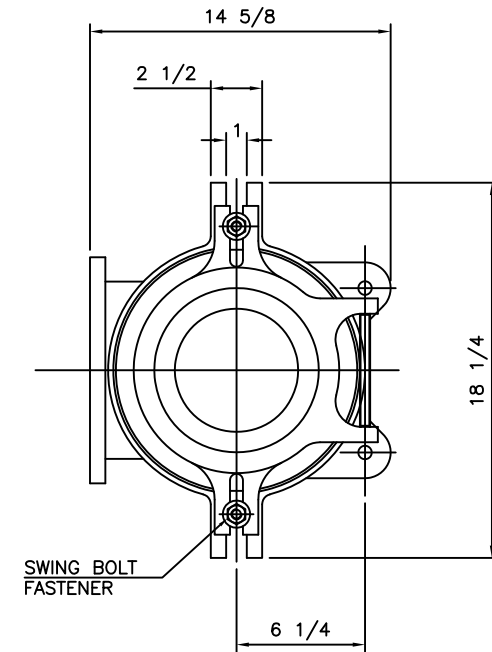
MODEL 5A **HD** HEAVY DUTY

FREE DISCHARGE

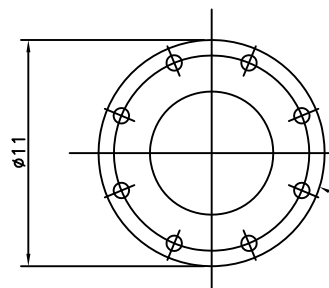
SERIAL No. X



SIDE VIEW



TOP VIEW



INLET FLANGE DETAIL

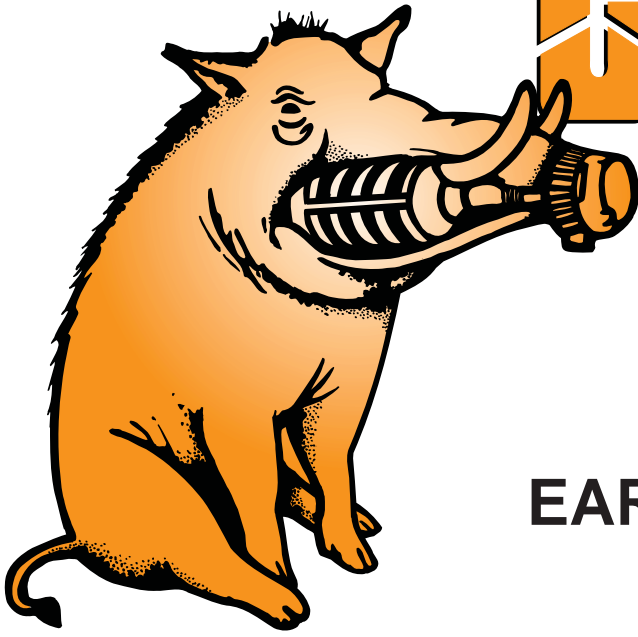
MATERIALS OF CONSTRUCTION & GENERAL ENGINEERING DATA

HOUSING:	GREY IRON	CAPACITY	130 GPM (US) / 8.2 L/s	INLET AREA	13 SQ IN	83.9 cm sq
DRUM (SCREEN):	DUCTILE IRON (ASTM 536 GRADE 60-45-18)	DRUM SPEED	50 RPM	OUTLET AREA	8 SQ IN	51.6 cm sq
SHEAR BARS:	AISI-A2 HIGH ALLOY TOOL STEEL	ROTATION	C / CLOCKWISE	DRUM DIAMETER	5.3 IN	13.5 cm
CUTTING BARS:	AISI-01 TOOL STEEL REVERSIBLE	SLOT WIDTH	.470 IN / 12 mm	WEIGHT	170 LB	77 kg
HARDWARE & FASTENERS:	304 STAINLESS STEEL	No. OF SLOTS	12			
MOTOR MANUFACTURER:		POWER:	/ 3 / 60	RPM:	1750	REDUCER: SM - CYCLO
STYLE: TEFC (IP55)	HP: 1.0	KW: 0.746	FRAME: 56C	FLANGE: 'C'		MODEL: V6120
						RATIO: 35:1
						RATING: 4.27 HP

G.E.T. INDUSTRIES INC.
get@grindhog.com
www.grindhog.com
1 (877) 213-7418



TOLERANCES	INFO.	SCALE
DECIMAL	INFO.	NTS
FRACTIONAL	INFO.	DRAWN BY
ANGULAR	INFO.	G.P.
		APPROVED BY
		W.D.M.
Dimensional Detail		
DATE	FILE NO.	DWG. No.
		6 0010, 9 0058 & 9 0200
		REV.



Grind Hog™

REPLACING

Worthington Model 4C-4

**BOYERTOWN AREA
SCHOOL DISTRICT
EARL ELEMENTARY SCHOOL
Boyertown, PA**

Grind Hog™ 5A **Hb** HEAVY DUTY



Grind Hog™ 5A **HEAVY DUTY**

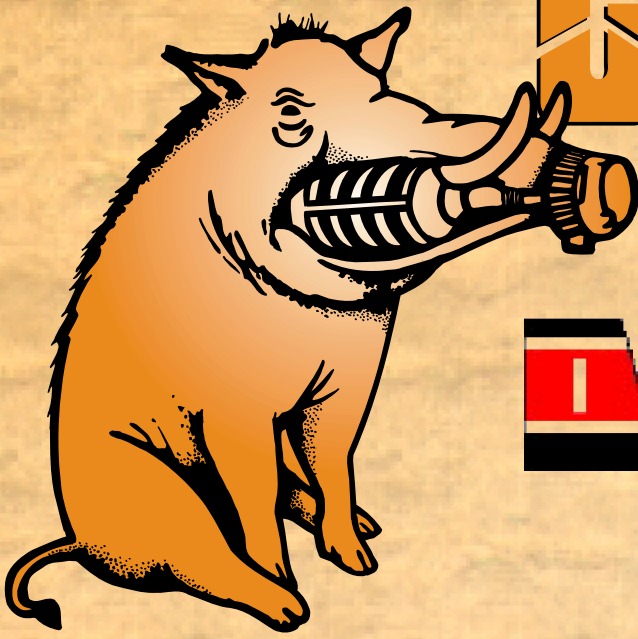


ORIGINAL WORTHINGTON 4C-4



G.E.T. INDUSTRIES INC.

Toll Free: (877) 213-7418
E-mail: get@grindhog.com ♦ Web: www.grindhog.com



Grind HogTM

Provided for



Inland Lakes Management

Grind HogTM 5A



**As Installed in the
S/S Alpena
(Muskegon, Michigan)**

Replacing Worthington Model 4CF-4

G.E.T. INDUSTRIES INC.

Toll Free: (877) 213-7418

E-mail: get@grindhog.com ♦ Web: www.grindhog.com